

SC-7200 - Bar-shaped mounting probe

Technical data:

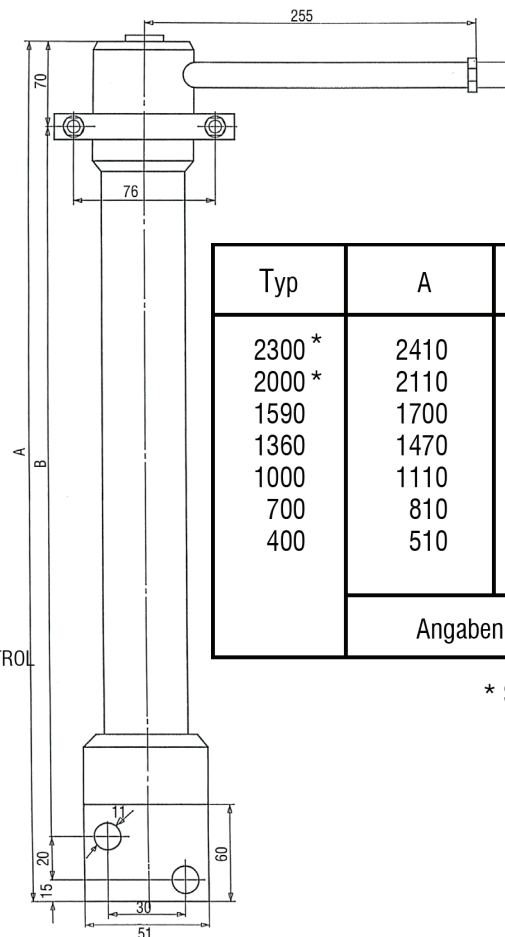
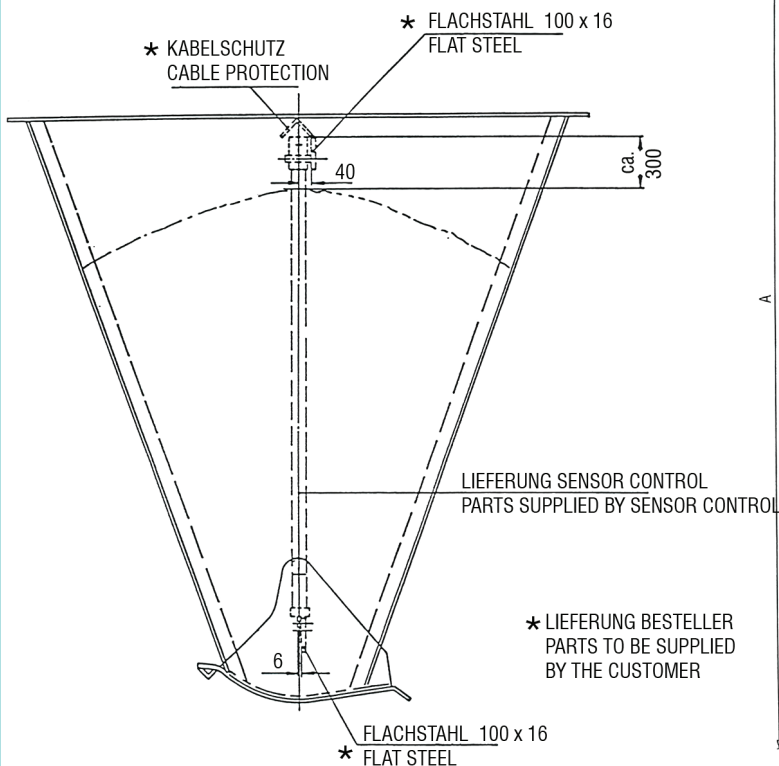
Standard dimensions	400 / 700 / 1000 / 1300 / 1590 mm
Degree of protection	IP 54
Voltage supply	24 V DC
Output signal	4 - 20 mA

This probe was designed for installation in tanks and silos. As a standard, 5 sizes corresponding to the installation conditions are available.

The protective jacket is made of Teflon to prevent caking. Two bar-type probes are installed to obtain a good avera-

ging of the moisture. A measuring generator converts the material moisture into a signal 4 - 20mA. This signal is not yet linearized or temperature-compensated. These operations are done by a following electrical device.

DIMENSIONS AND MOUNTING



Typ	A	B
2300 *	2410	2305
2000 *	2110	2005
1590	1700	1595
1360	1470	1365
1000	1110	1005
700	810	705
400	510	405
Angaben in mm		

* Sonderlänge