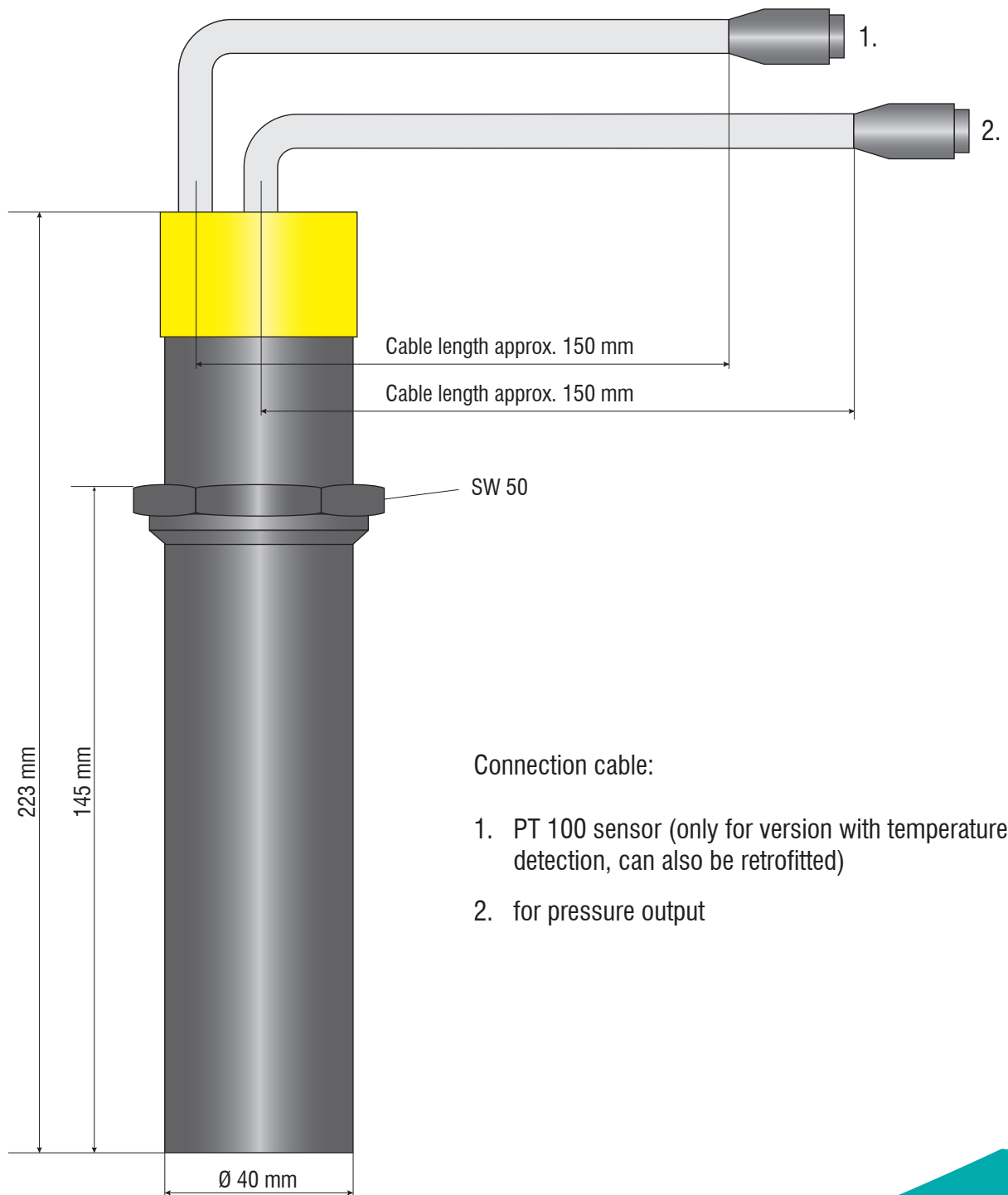




ELECTRONIC PLASTOMETER

WITHOUT DISPLAY



Connection cable:

1. PT 100 sensor (only for version with temperature detection, can also be retrofitted)
2. for pressure output